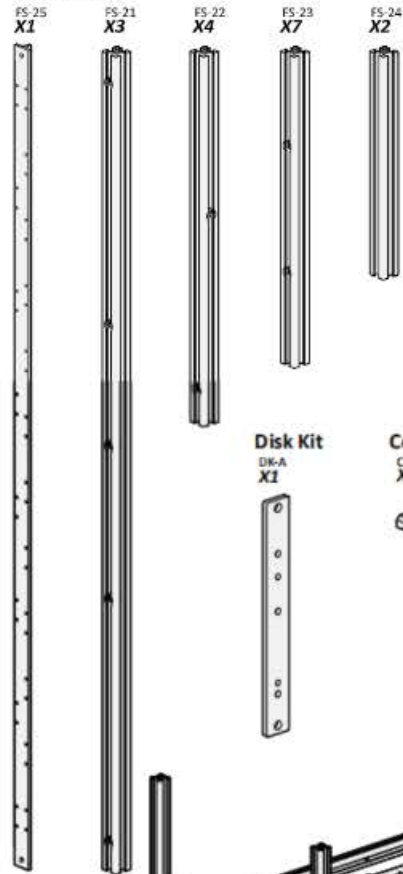
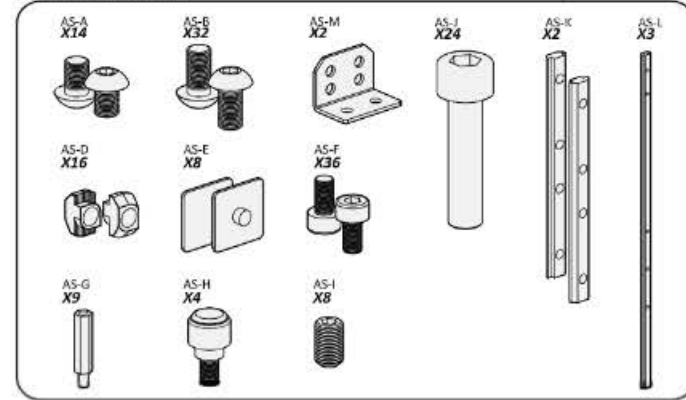


PARTS LIST

Frame Stick



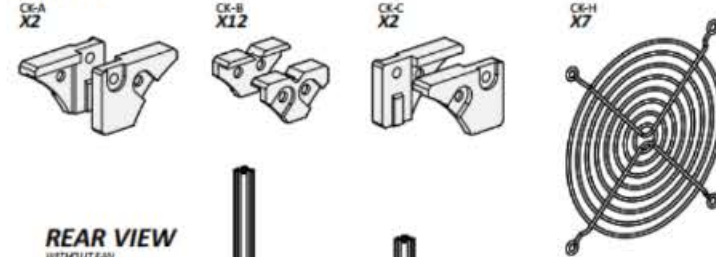
Accessory & Screw



Disk Kit



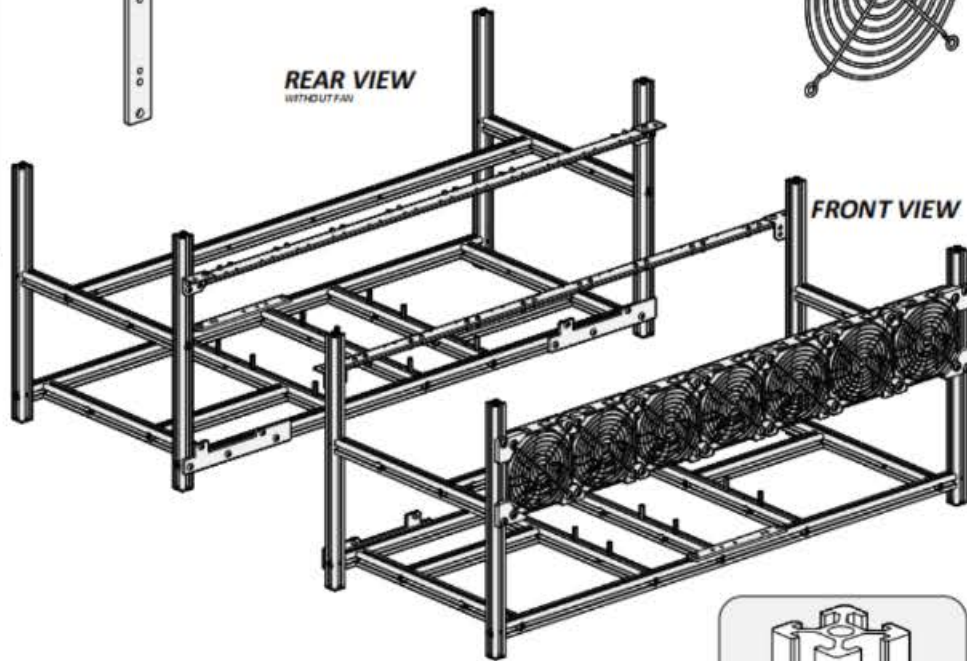
Cooler Kit



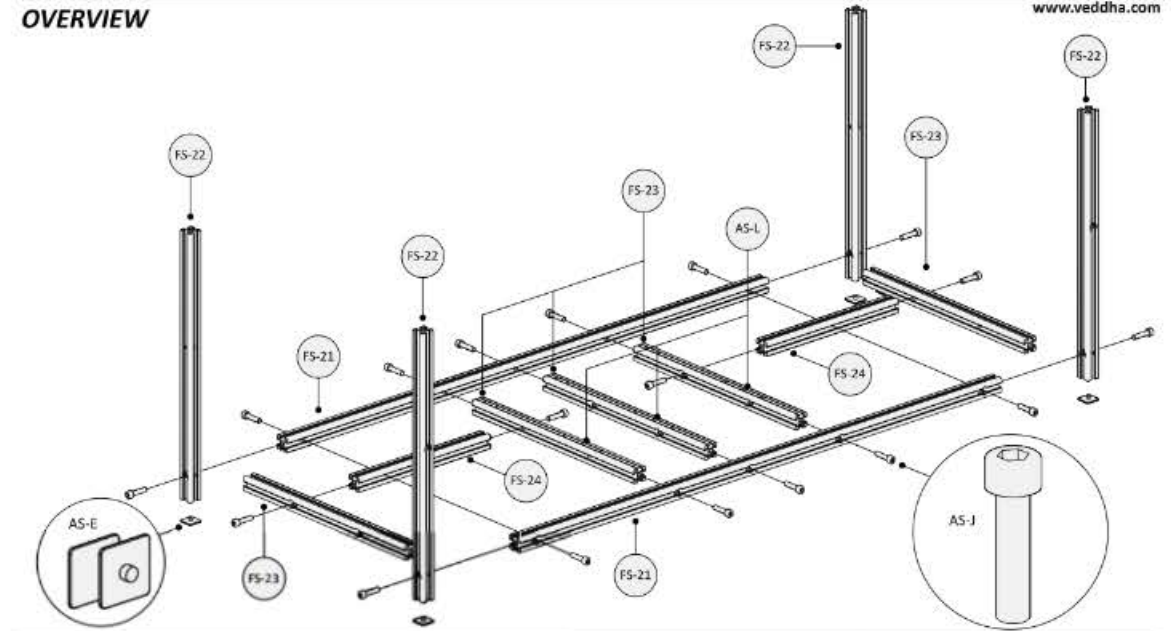
REAR VIEW
WITHOUT FAN

FRONT VIEW

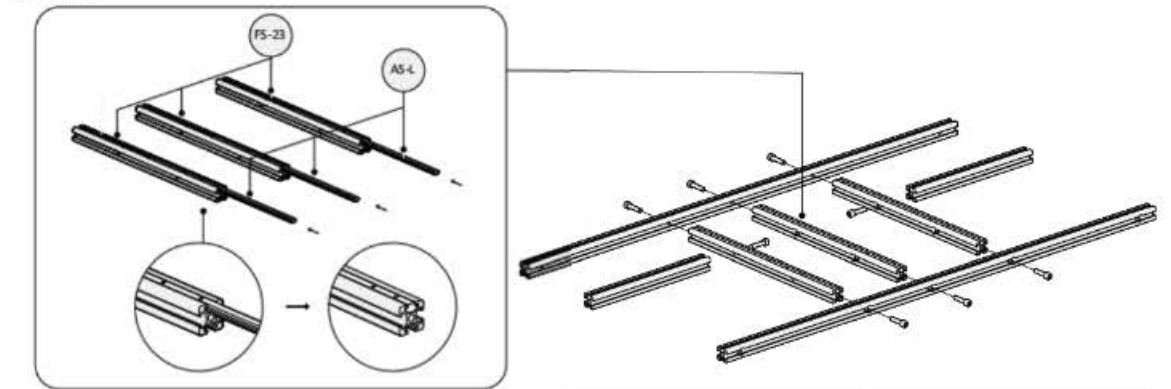
Power Supply Kit



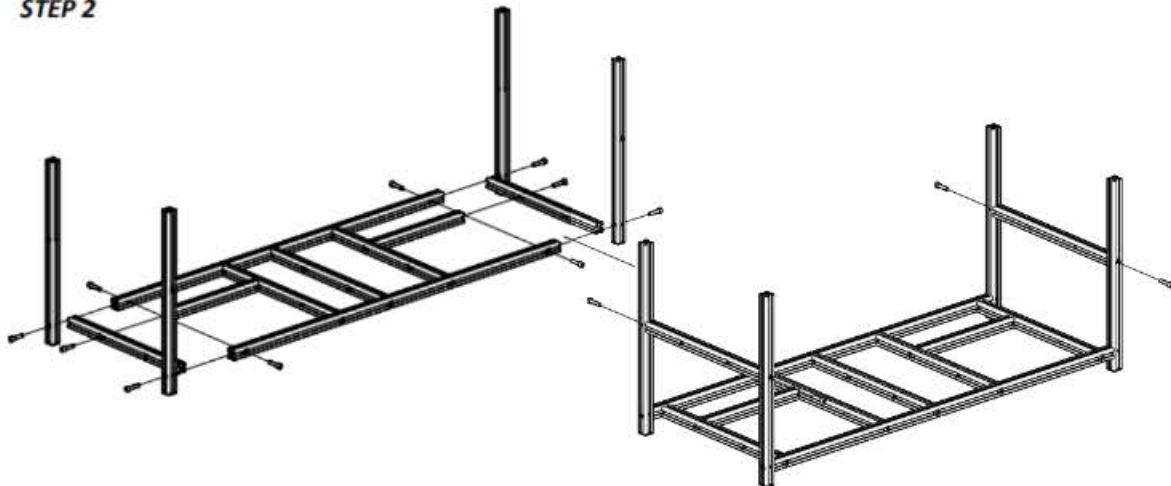
OVERVIEW



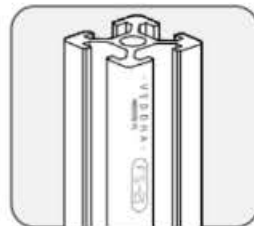
STEP 1



STEP 2



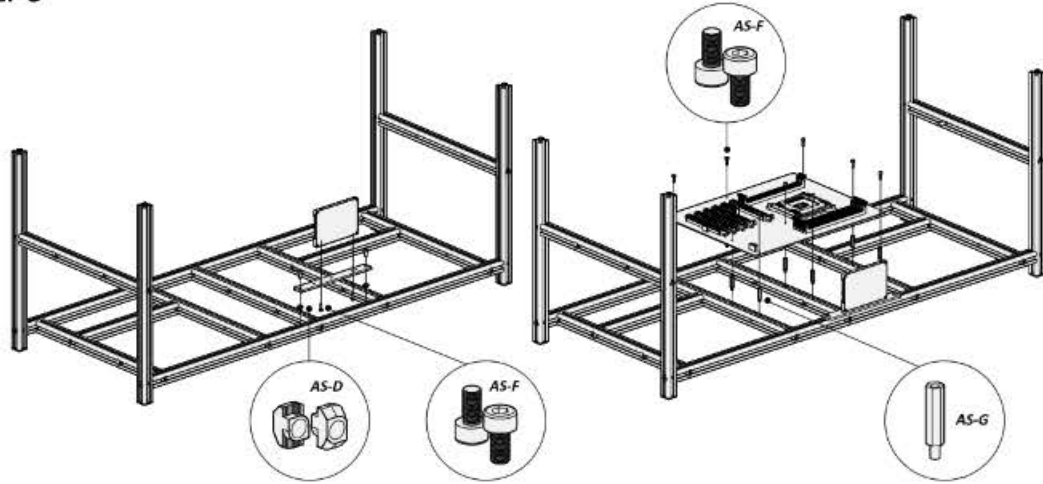
Please read the manual carefully before installation.
Each pole is marked with model sign. Please install according to the model sign indicated in the manual.



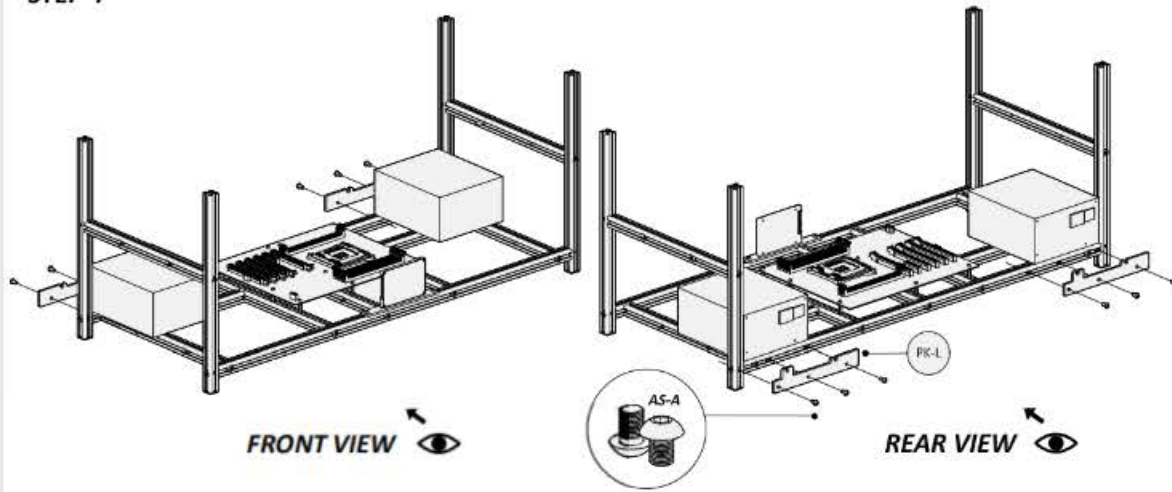
MINERCASE V4 8-12BAY

Installation Manual
www.veddha.com

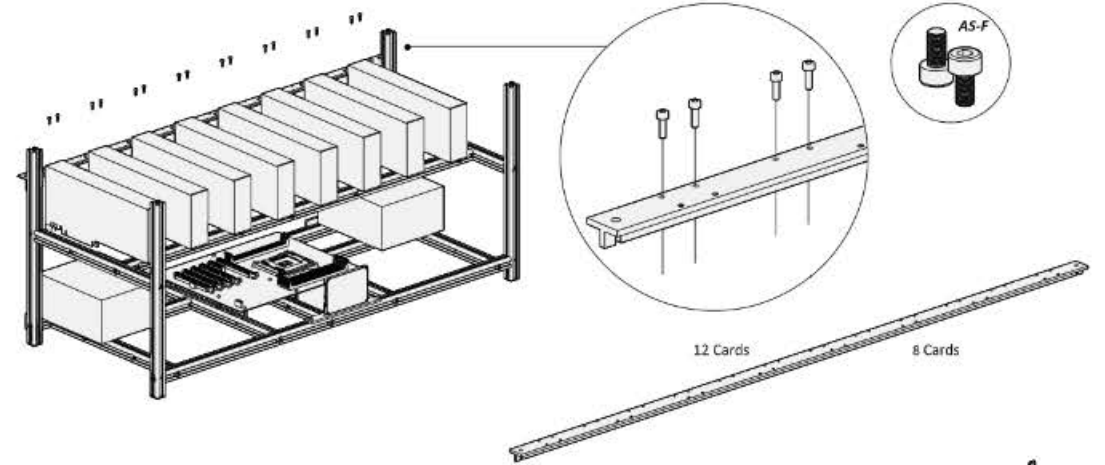
STEP 3



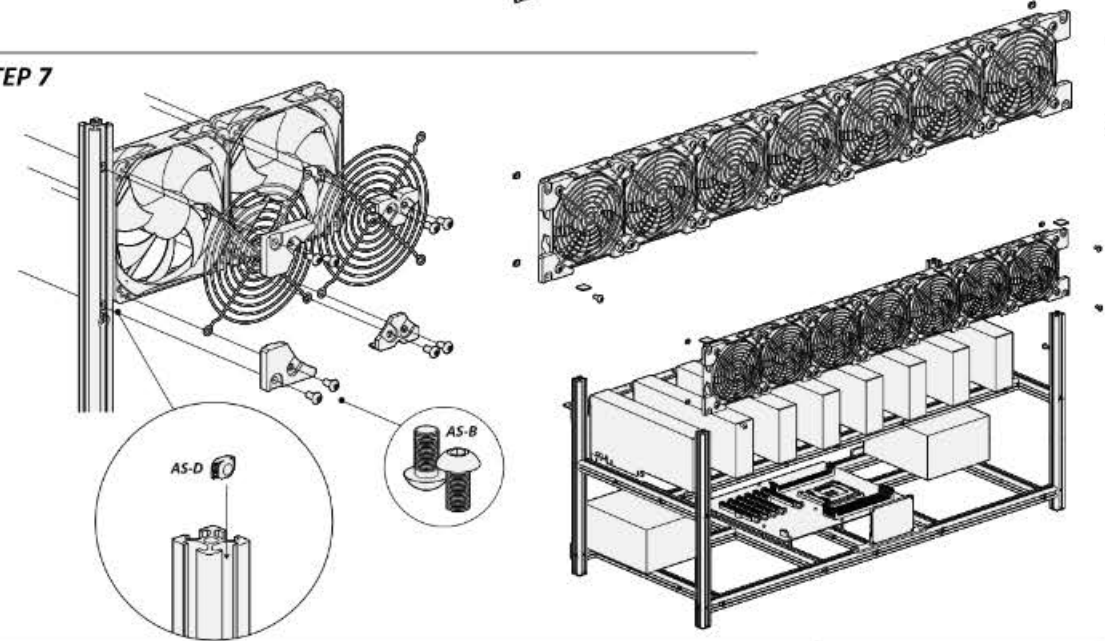
STEP 4



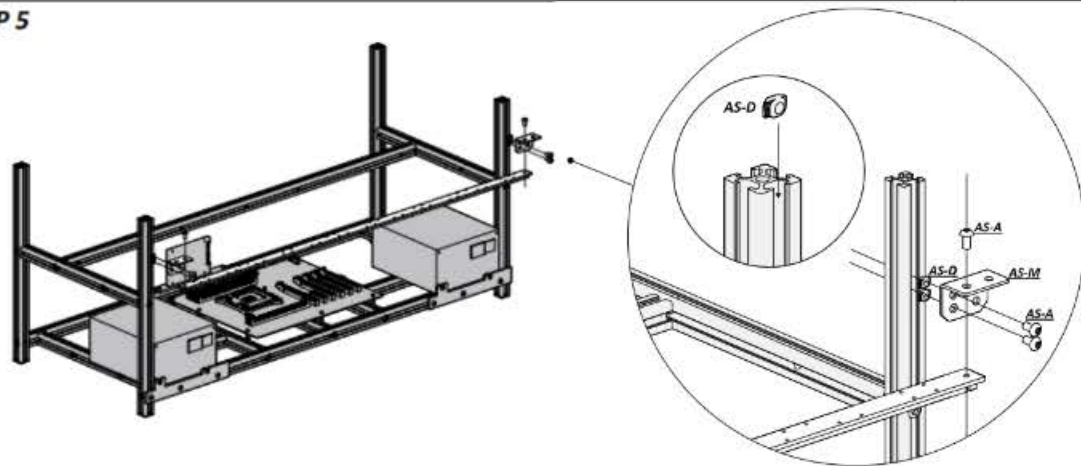
STEP 6



STEP 7



STEP 5



STEP 8 GRAPHICS CARD

